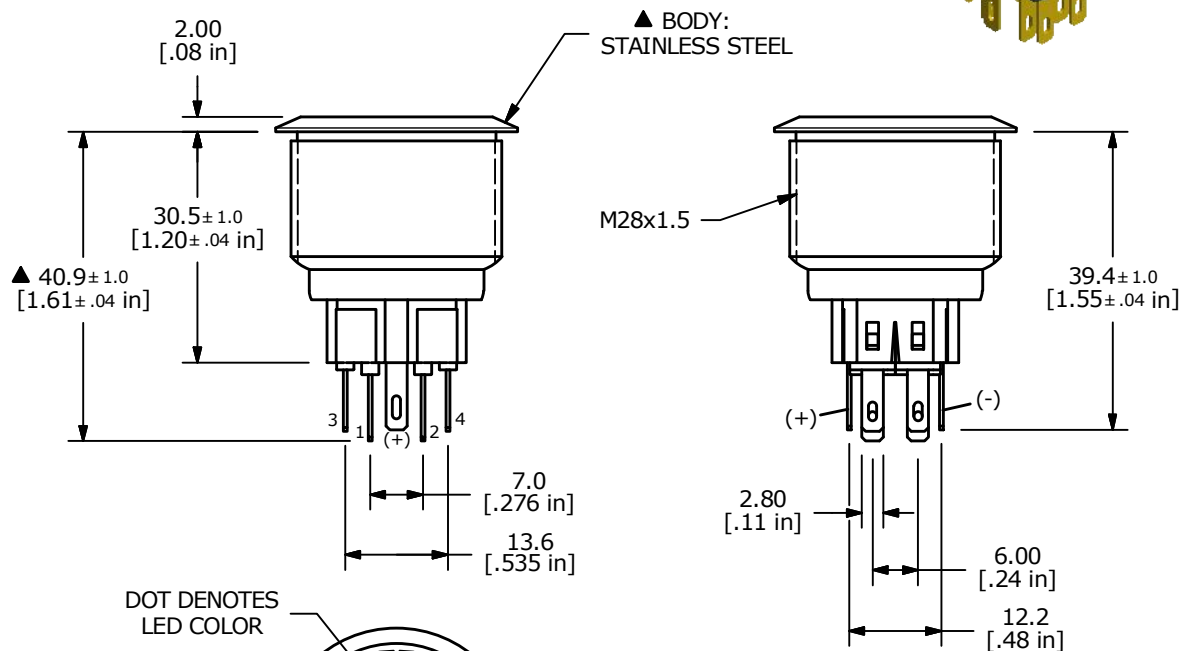
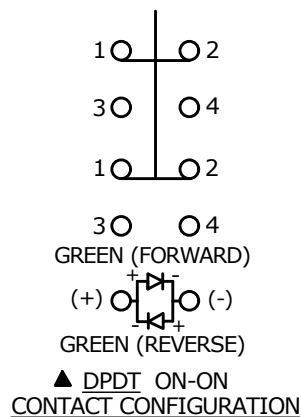
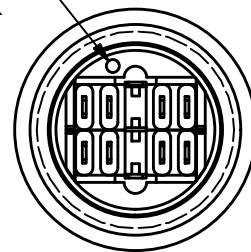


▲ SWITCH FUNCTION

POS. 1	POS. 2
1-2	3-4



DOT DENOTES LED COLOR



- NOTE:
- ALL DIMENSIONS IN MM [INCH]
 - GENERAL TOLERANCE: X.X = ± 0.4
X.XX = ± 0.25
 - TERMINAL NOS. FOR REF. ONLY
 - RATING: 2A @ 48VDC
 - CONTACT RESISTANCE: 50mΩ MAX. @ 1A 12VDC
 - INSULATION RESISTANCE: 1,000MΩ @ 500VDC
 - DIELECTRIC STRENGTH: 2,000VAC MIN. FOR 1 MINUTE
 - ELECTRICAL LIFE: 50,000 CYCLES
 - OPERATING TEMPERATURE: -20°C to 55°C
 - INGRESS PROTECTION: IP66
 - SUPPLIED HARDWARE: O-RING AND HEXNUT
 - ▲ DENOTES CRITICAL PARAMETER
 - ILLUMINATION VOLTAGE: 24V



B	23838	UPDATED RATING TO IP66	4/8/19	MJR
A	22782	RELEASE FOR PRODUCTION	3/29/17	MW
REV	PCR NO	DESCRIPTION	DATE	BY

TITLE PV9F2U0SS-335				
SCALE 1:1	DATE 3/29/2017	DR MW	DWG 52-PV9F2U0SS335	REV B

THE INFORMATION CONTAINED IN THIS DOCUMENT IS PROPRIETARY TO E-SWITCH AND IS NOT TO BE COPIED OR TRANSFERRED